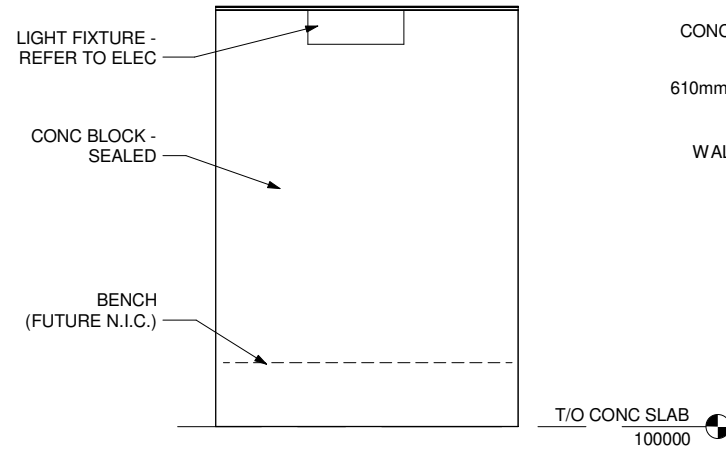
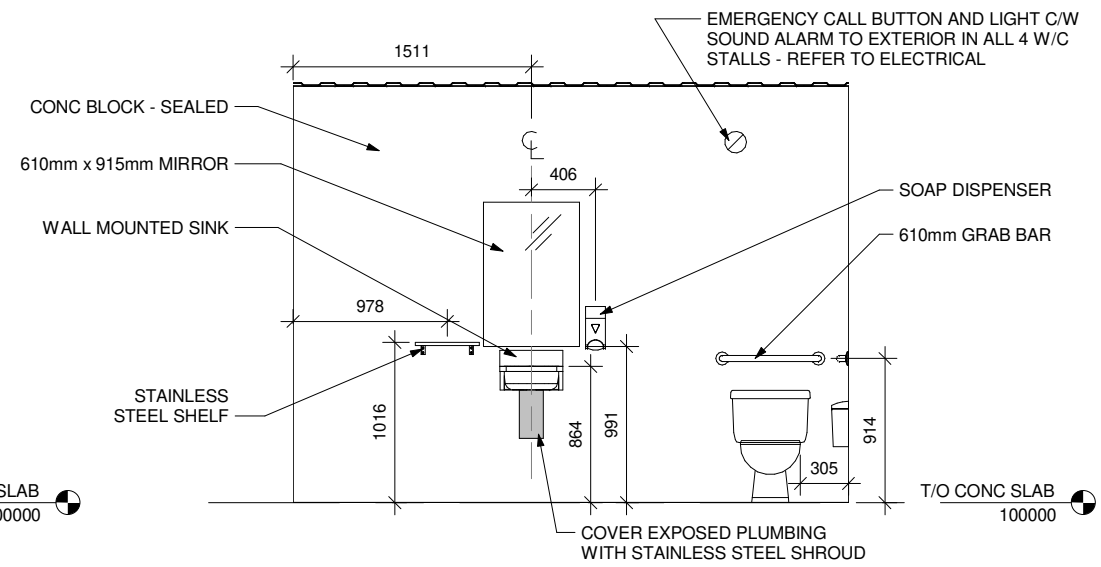


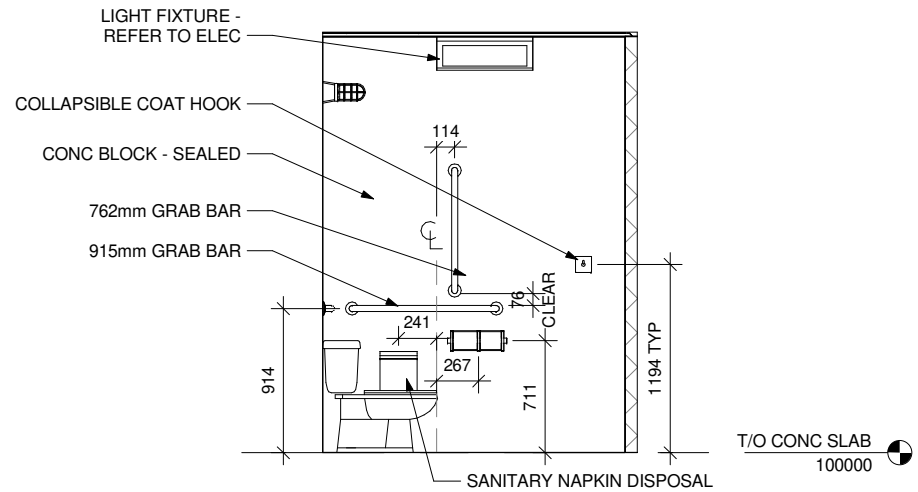
1 ACCESSIBLE W/C - A
1 : 48



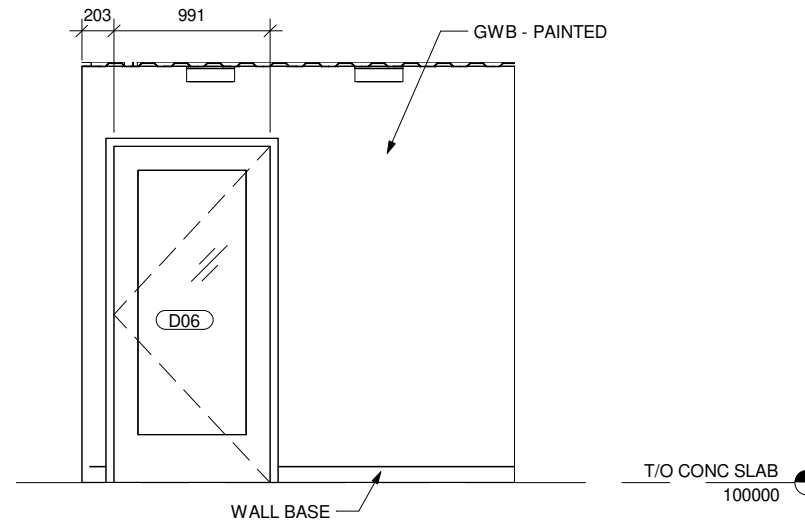
2 ACCESSIBLE W/C - B
1 : 48



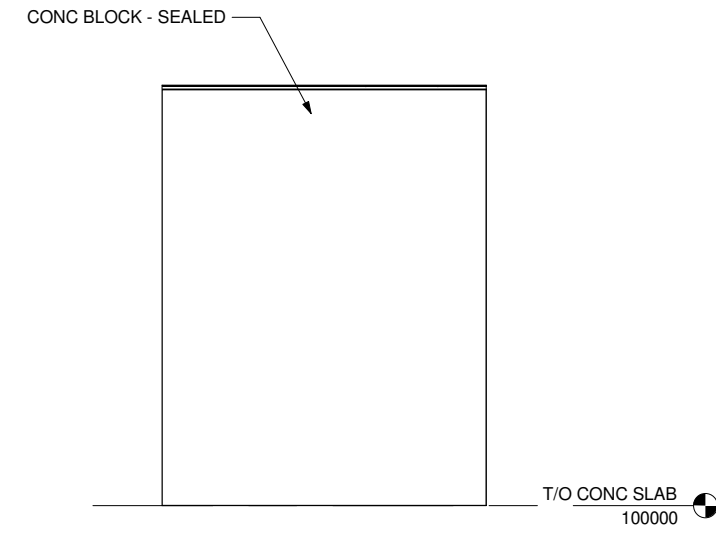
3 ACCESSIBLE W/C - C
1 : 48



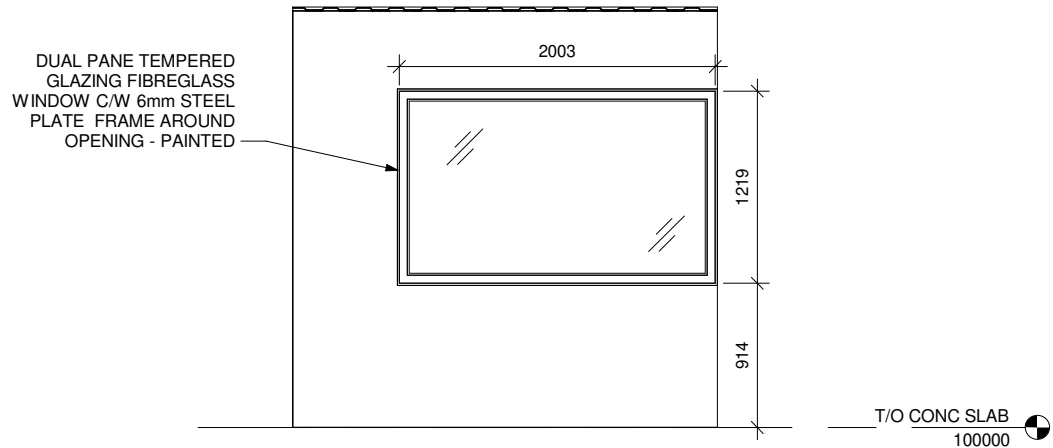
4 ACCESSIBLE W/C - D
1 : 48



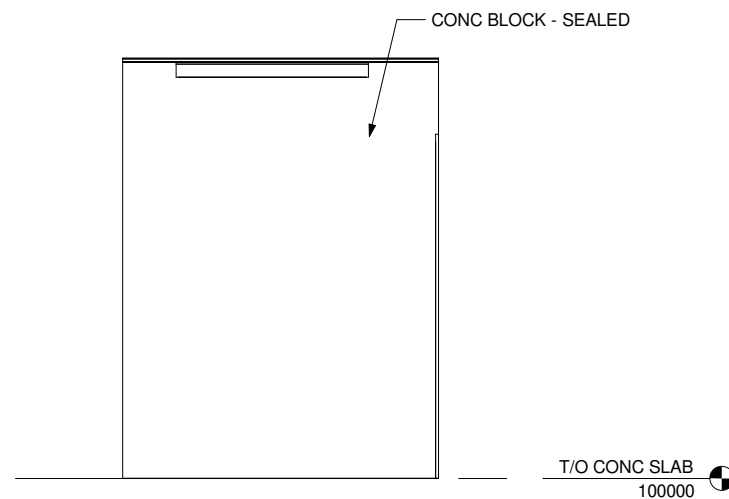
5 OFFICE - A
1 : 48



6 OFFICE - B
1 : 48



7 OFFICE - C
1 : 48



8 OFFICE - D
1 : 48

Project:
715 MAIN STREET
PUBLIC TOILET

715 Main Street, Winnipeg, MB

Project Number: 2022
Bid Opportunity Number: 54-2021



#	Issue/Revision	Date
1	ISSUED FOR CONSTRUCTION	MAR. 3, 2021

Drawing Title:
INTERIOR ELEVATIONS

Sheet No:

A701

This drawing is property of the Architect and cannot be reproduced or used without the consent of the Architect. The contractor is responsible for checking and verifying all levels and dimensions and shall report all discrepancies to the Architect and obtain clarification prior to commencing work.